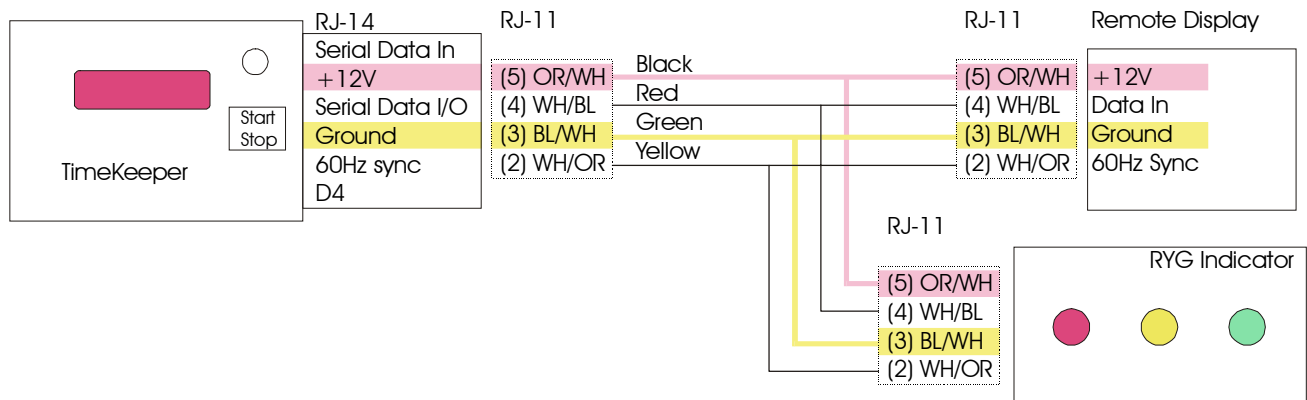


TimeKeeper interconnection diagram

Timer	- RJ-45	- RJ-14	RYG Indicator - RJ-11	Remote Display	Power Supply
-	- WH/OR	-	-	-	-
Serial Data In	- OR/WH	- (6) WH/GN	-	-	-
+12V	- WH/GN	- (5) OR/WH	+12V	- (5) OR/WH	+12 Volts
Serial Data I/O	- WH/BL	- (4) WH/BL	Data In	- (4) WH/BL	Data In
Ground	- BL/WH	- (3) BL/WH	Ground	- (3) BL/WH	Ground
60Hz sync	- GN/WH	- (2) WH/OR	Not used	- (2) WH/OR	Not used
Data 4 (spare)	- WH/BN	- (1) GN/WH	-	-	-
-	- BN/WH	-	-	-	-



Connecting Multiple TimeKeepers Together.

