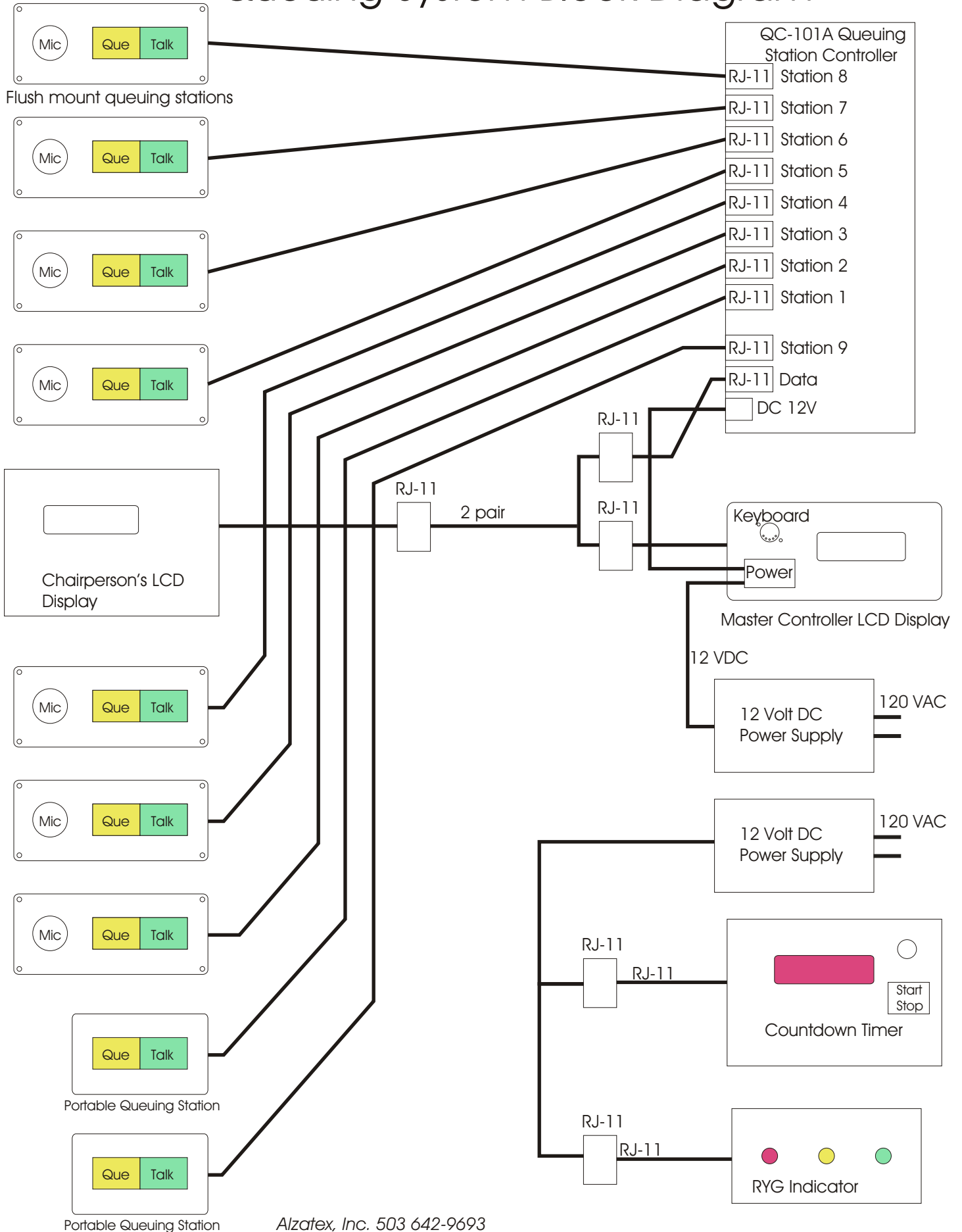
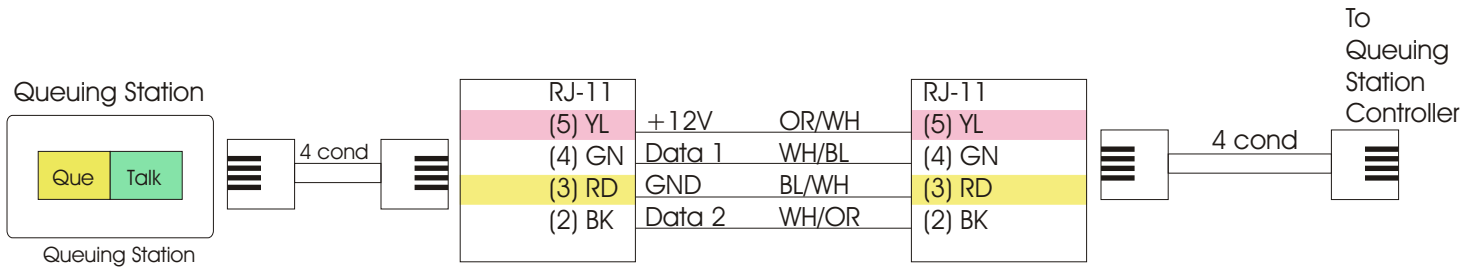


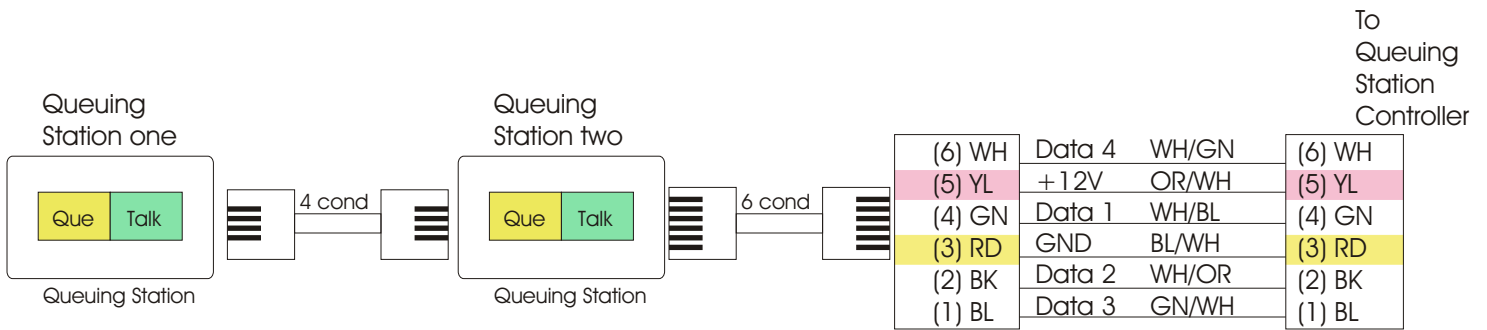
# Queuing System Block Diagram



# Queuing System interconnection diagram



**QC-101A.** Each queuing station connects to the queuing station controller using a four conductor modular cord.



**QC-115A** Queuing stations may be daisy chained together in pairs of two using modular cord. Connect a 4 conductor modular cord from station one to station two.. Connect a 6 conductor modular cord from station two to the queuing station controller.

Connecting the LCD displays to the queuing system controller.

