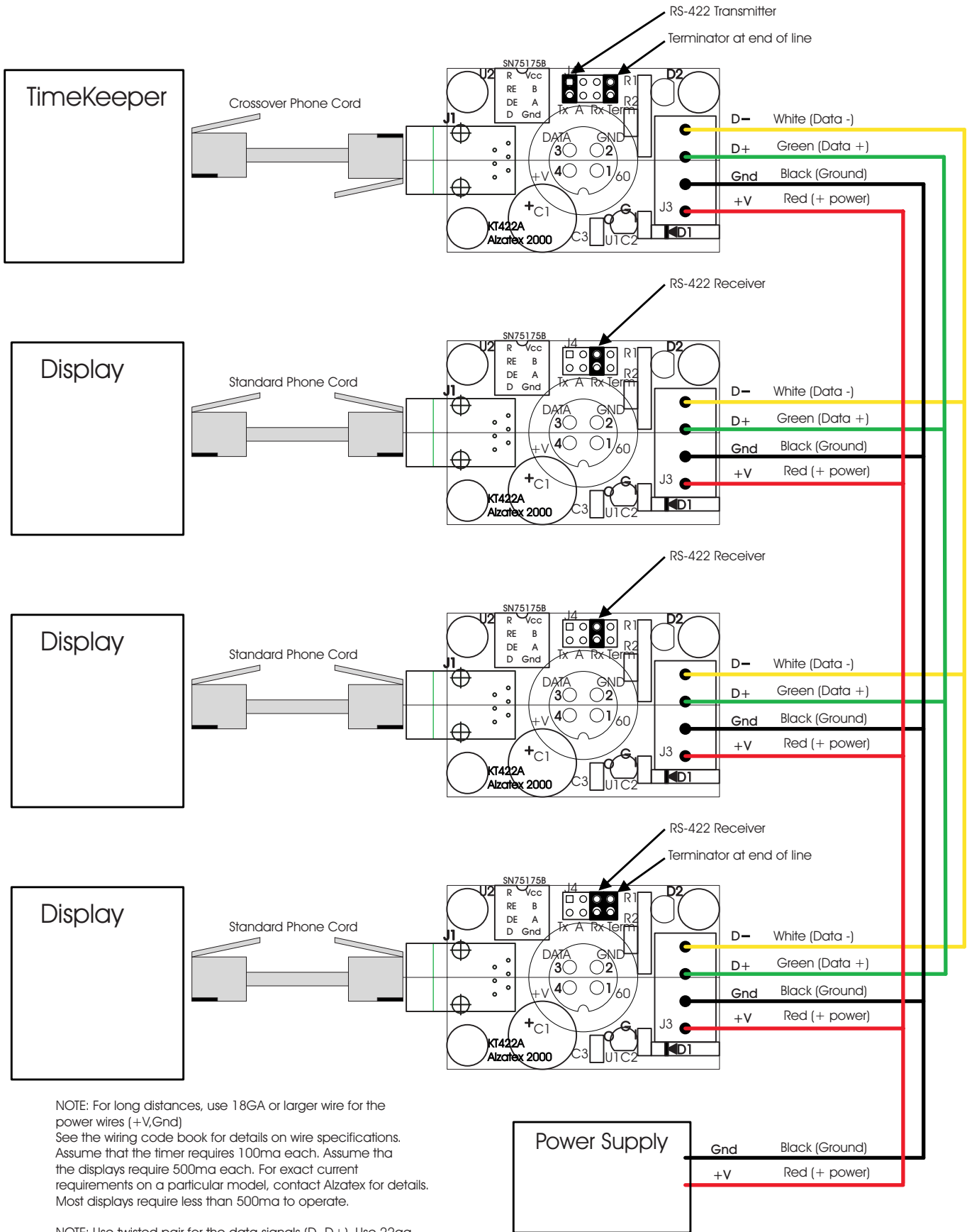


# KT-422A RS-422/485 to serial data adapter



NOTE: For long distances, use 18GA or larger wire for the power wires (+V,Gnd)  
See the wiring code book for details on wire specifications.  
Assume that the timer requires 100ma each. Assume that the displays require 500ma each. For exact current requirements on a particular model, contact Alzatec for details.  
Most displays require less than 500ma to operate.

NOTE: Use twisted pair for the data signals (D-,D+). Use 22ga or larger for the data signals. In noisy environments, use shielded cable for the data signals.

NOTE: A good quality 4 conductor 18GA or larger cable may be used provided that the group of four wires is twisted.