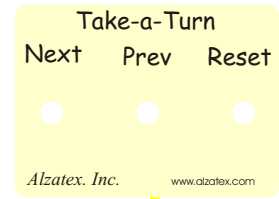
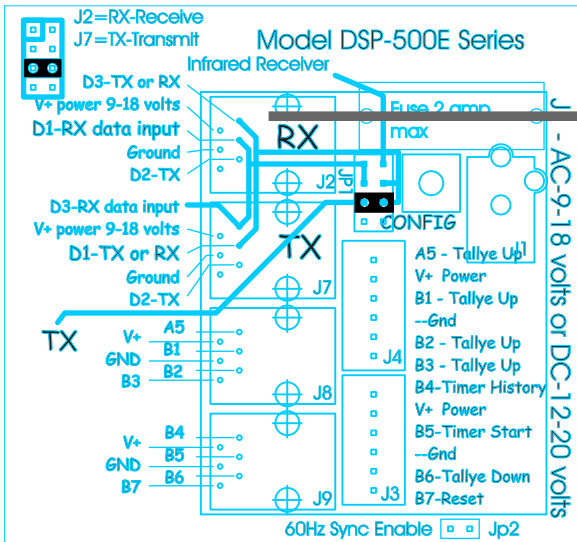
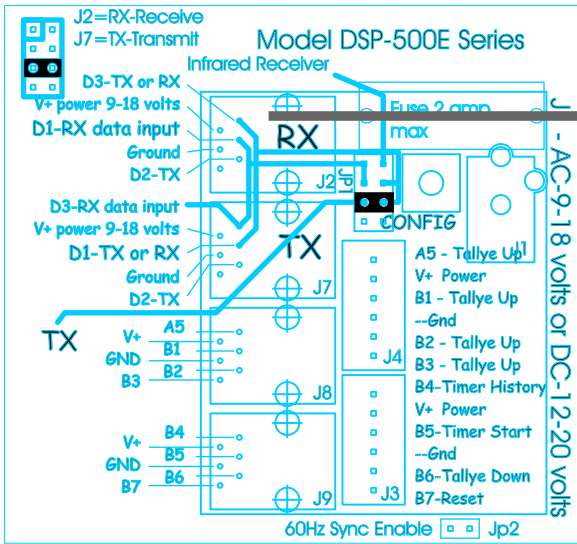
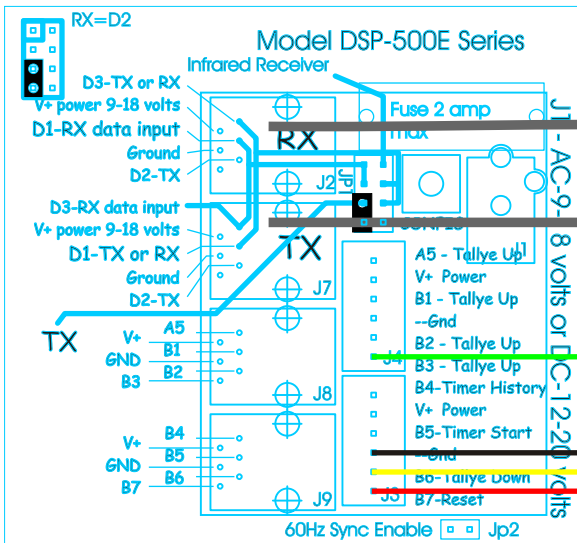


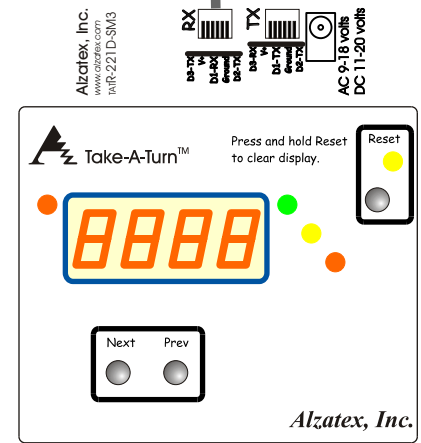
# Take-a-Turn system with multiple displays



RJ-11 Jack

RJ-11 Jack

RJ-11 Jack



**TAT-221D-SM3**  
 TAT-221D Next, Previous and Reset buttons with remote display  
 NOTE: The LEDs are not used in the standard model. They are available for custom features.

The Take-A-Turn can be powered from any unit that has a AC/DC power connector. 10 to 15VAC or 12 to 16VDC is required.

Alternatively, the system may be powered by applying 11-15VDC to any connector having a "V+" terminal.

NOTE: Please note the jumper settings.

