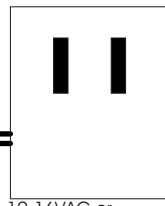
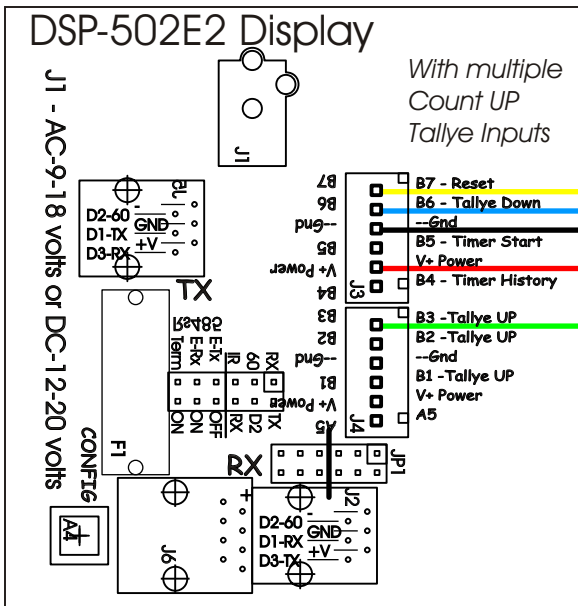
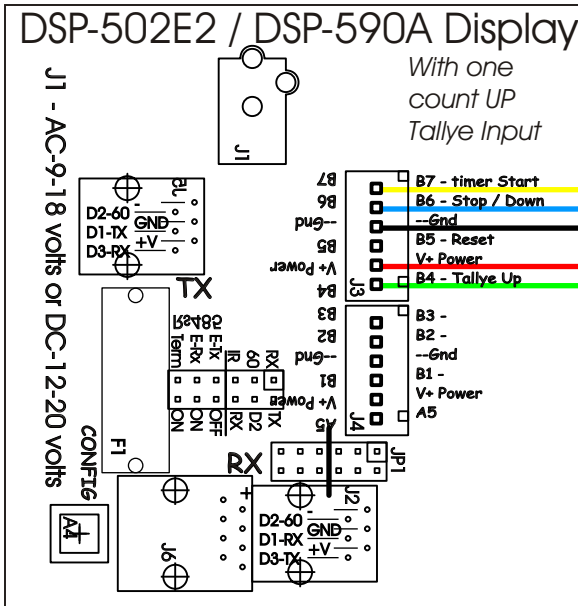
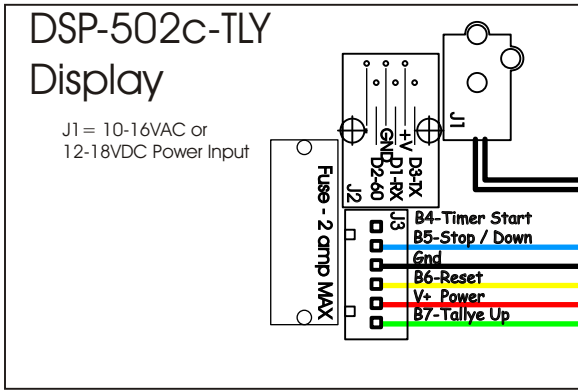


Take-A-Turn System



Up to 10 displays may be powered from one wall transformer. Connect the wall transformer to J1 on any of the displays. Parallel connect the +V and Gnd terminals on all of the other displays.

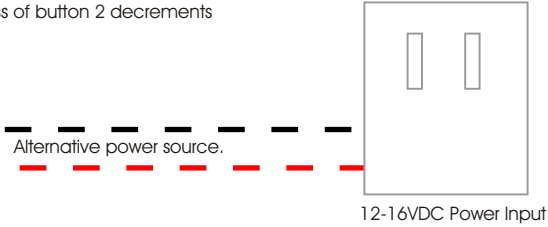
The internal power supply, can supply a maximum of 2 amps of current. Each display draws between 100ma and 400ma depending on brightness and number of digits.



Each press of button 1 increments the count. Multiple count buttons may be connected together.



Each press of button 2 decrements the count



Each press of button 3 resets the count to zero.

NOTE: When using a 4 conductor cable the colors in the cable are Green, Red, Black and Yellow. You may substitute using the Red lead for Count Down if the Red lead is not needed for power.

To more displays

NOTE: When using buttons that have both normally open (NO) contacts and normally closed (NC) contacts, be sure to connect to the NO terminal and the common (C) terminal.

www.alzatex.com Alzatex, Inc. DSP502C-TLY

- J3-B7-Tallye Up ground closure input.
- J3-V+ Power input 12-18VDC.
- V+ is power output when powered by J1 or J2.
- J3-B6-Timer and Tallye Reset gnd closure input.
- J3-Ground
- J3-B5-Timer Stop, Tallye Down gnd closure input.
- J3-B4-Timer start ground closure input.

- J2-D3-TX - Serial data output (special order)
- J2-V+ Power input 12-18VDC.
- V+ is power output when powered by J1 or J3.
- J2-D1 - RX - Serial data input, 2400 baud 8N1
- J2-Ground
- J2-D2 - 60 Hz Sync signal in or out.