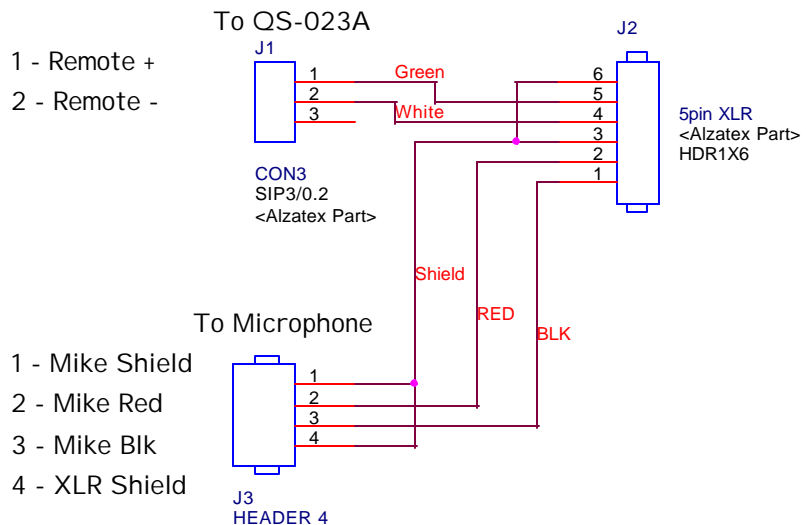
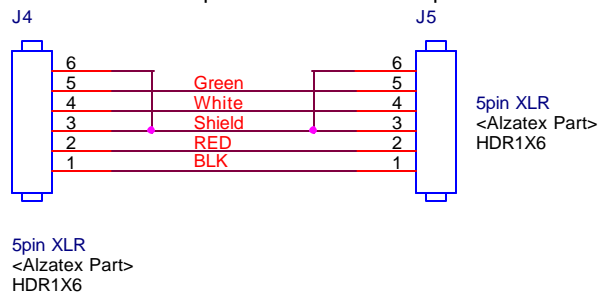


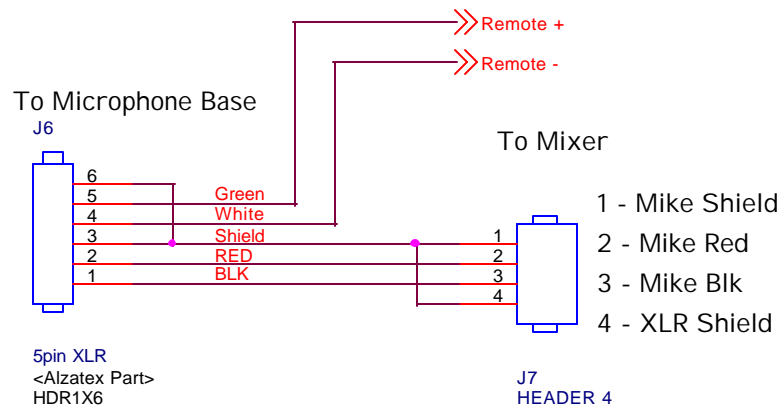
Cabling inside of the microphone base



Cable from Microphone base to wall plate

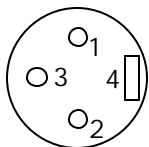


Cabling from the wall plate to the QS-210A



- | | |
|----------------------------------|-----------------------------------|
| Neutrik | Switchcraft |
| NC5MP-B Male Chassis | TA5M Male plug |
| NC5MX-B Male Plug | TA5F Female plug |
| NC5FX-B Female Plug | |
| NC5FP-1-B Female Chassis | |
| All are Black with gold contacts | All are Silver with gold contacts |

XLR Connector



- 1 - Mike Shield
- 2 - Mike Red (+) Hot
- 3 - Mike BLK (-) Cold
- 4 - XLR Shield

Title		
QS-210A0 Interface Cabling		
Size	Document Number	Rev
A	QS210A0	A0
Date:	Friday, January 18, 2008	Sheet 1 of 1