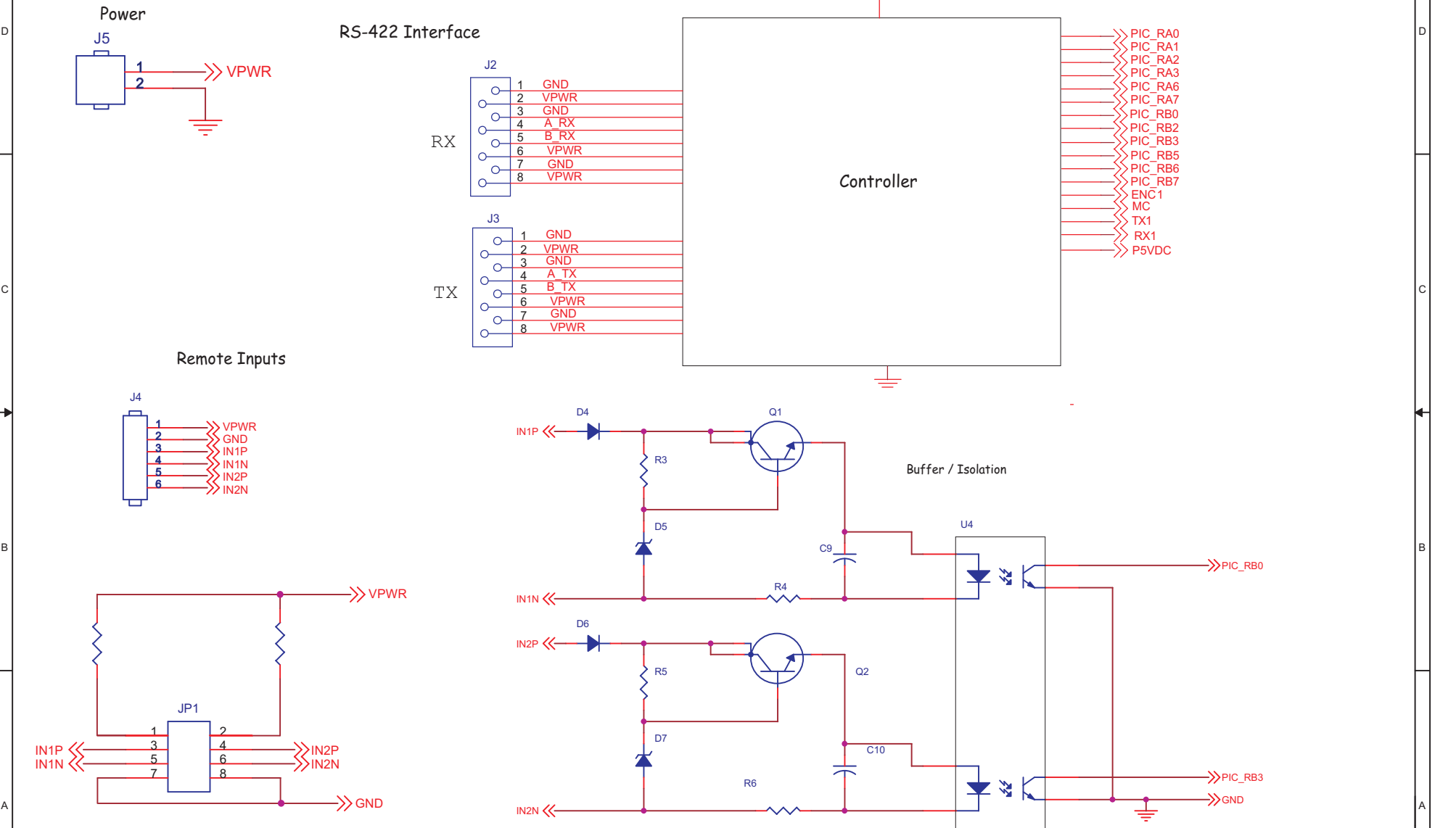


KP213 Block Diagram



Simplification of actual circuitry. Contact factory regarding availability of complete schematic.

File kp213a0_BlockDiagram

8/04/2008 MH
 ALZATEX, Inc., 6400 SW 213th Ave., Aloha, OR 97007
 (503) 642-9693, (503) 649-6539 FAX, www.alzatex.com