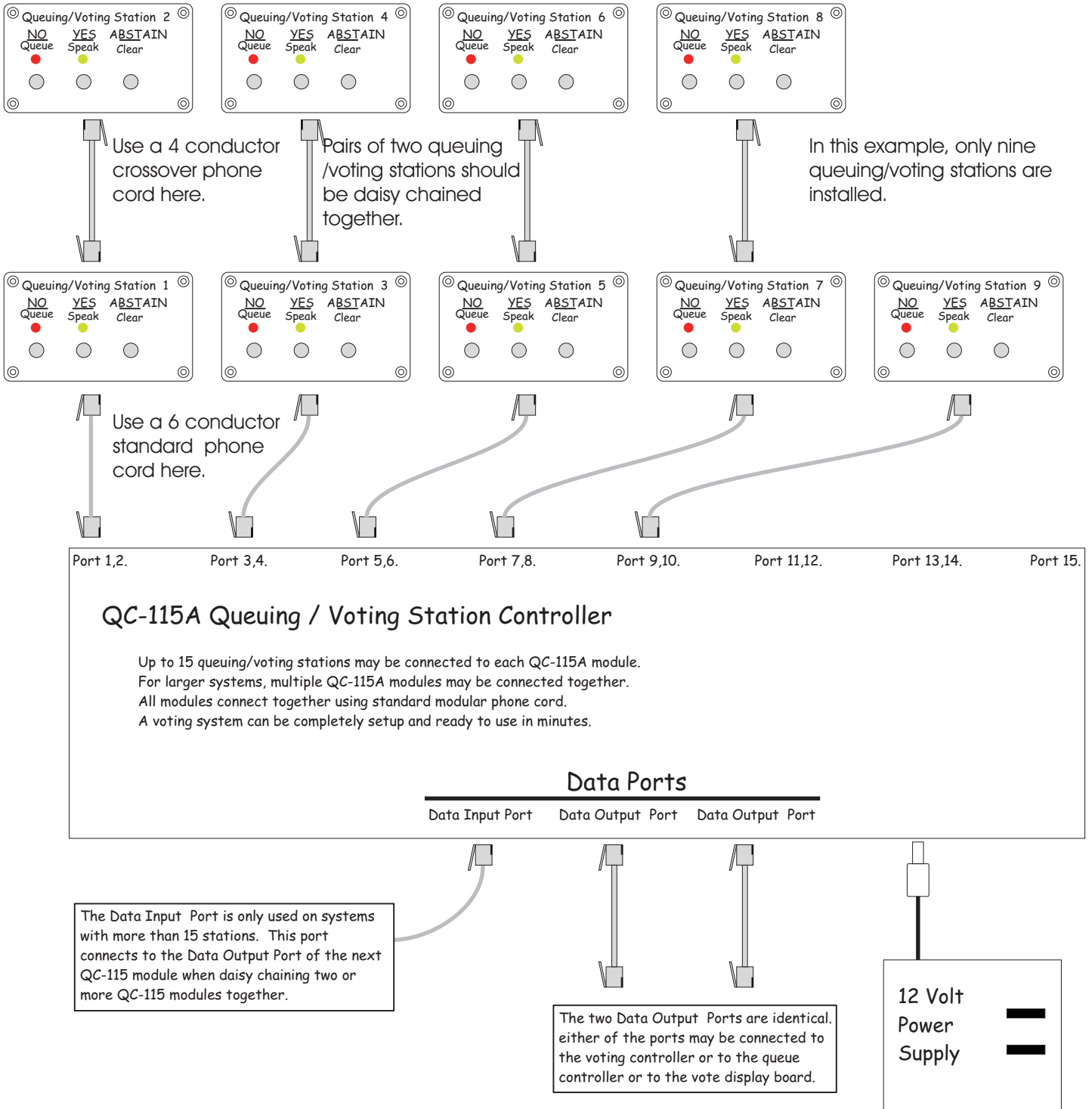


The Tallye™ Queuing / Voting System

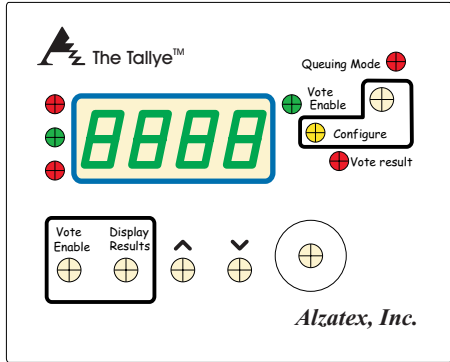
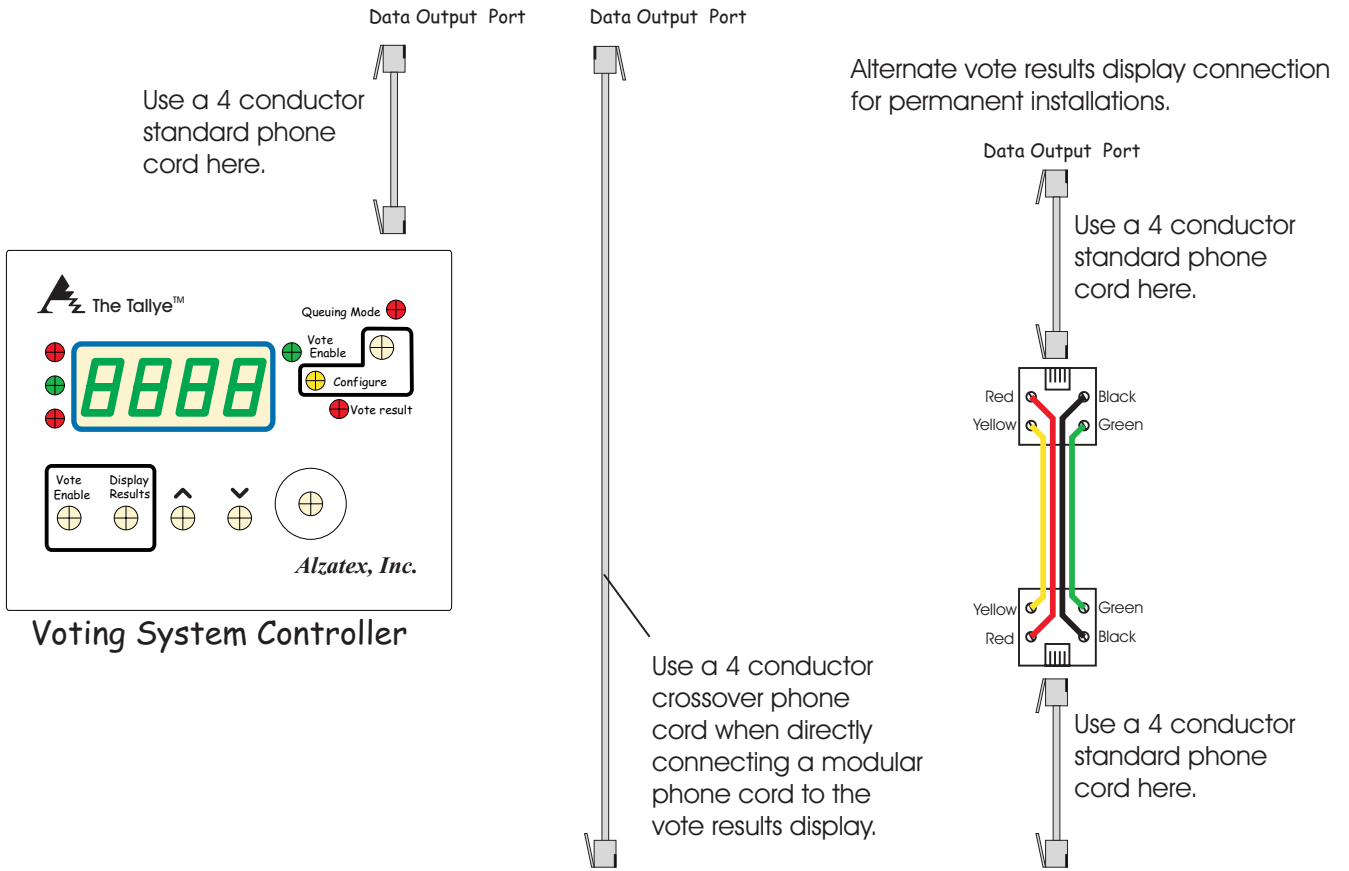


Example nine station voting system.

- The Tallye™ Queuing/voting is easy to install. Simply connect each of the queuing/voting stations to the QC-115 using modular phone cords.
- Connect the Voting System Controller and the vote results display to the QC-115 using modular phone cords.
- Connect the power supply and you are ready to use the system.

The Tallye™ Voting System

Data Ports on QC-115



Voting System Controller

Vote Results Display			
	No	Yes	Abstain
Name 1	<input type="radio"/>	<input checked="" type="radio"/>	<input type="radio"/>
Name 2	<input checked="" type="radio"/>	<input type="radio"/>	<input type="radio"/>
Name 3	<input type="radio"/>	<input type="radio"/>	<input checked="" type="radio"/>
Name 4	<input type="radio"/>	<input checked="" type="radio"/>	<input type="radio"/>
Name 5	<input checked="" type="radio"/>	<input type="radio"/>	<input type="radio"/>
Name 6	<input checked="" type="radio"/>	<input type="radio"/>	<input type="radio"/>
Name 7	<input type="radio"/>	<input type="radio"/>	<input checked="" type="radio"/>
Name 8	<input type="radio"/>	<input checked="" type="radio"/>	<input type="radio"/>
Name 9	<input checked="" type="radio"/>	<input type="radio"/>	<input type="radio"/>

The Tallye™ Voting / Queuing System

