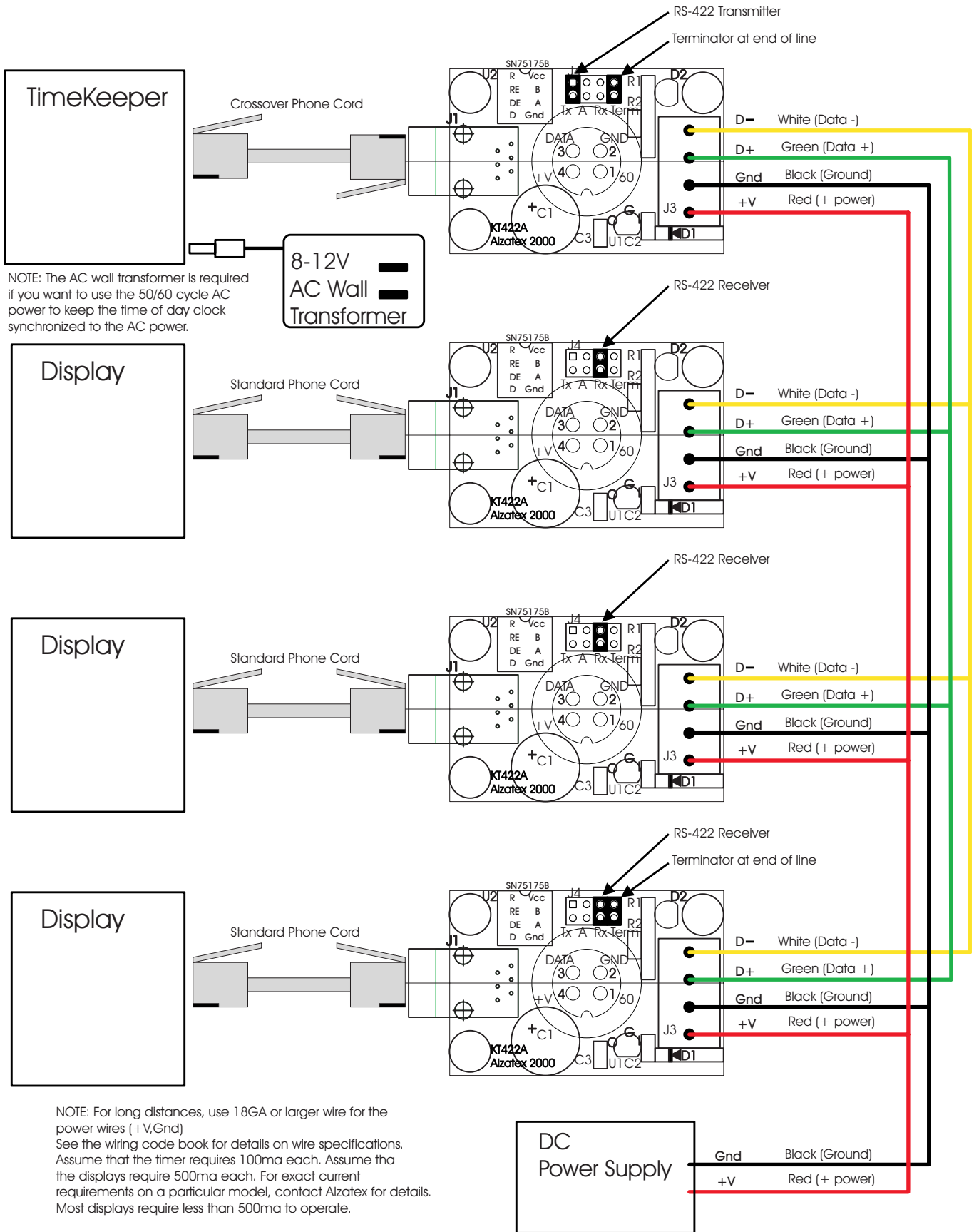


# KT-422A RS-422/485 to serial data adapter



NOTE: The AC wall transformer is required if you want to use the 50/60 cycle AC power to keep the time of day clock synchronized to the AC power.

NOTE: For long distances, use 18GA or larger wire for the power wires (+V,Gnd)  
See the wiring code book for details on wire specifications.  
Assume that the timer requires 100ma each. Assume that the displays require 500ma each. For exact current requirements on a particular model, contact Alzetex for details.  
Most displays require less than 500ma to operate.

NOTE: Use twisted pair for the data signals (D-,D+). Use 22ga or larger for the data signals. In noisy environments, use shielded cable for the data signals.

NOTE: A good quality 4 conductor 18GA or larger cable may be used provided that the group of four wires is twisted.



12VDC Minimum Required for Red LED displays  
15VDC Minimum Required for Green or Yellow LED displays  
18VDC Minimum Required for White LED displays