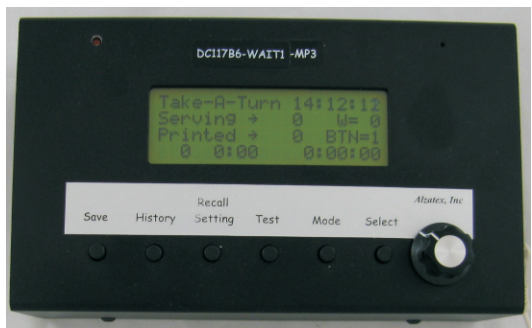
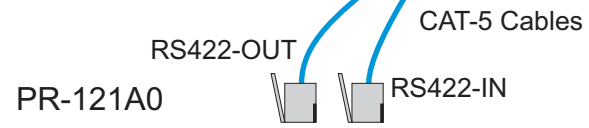
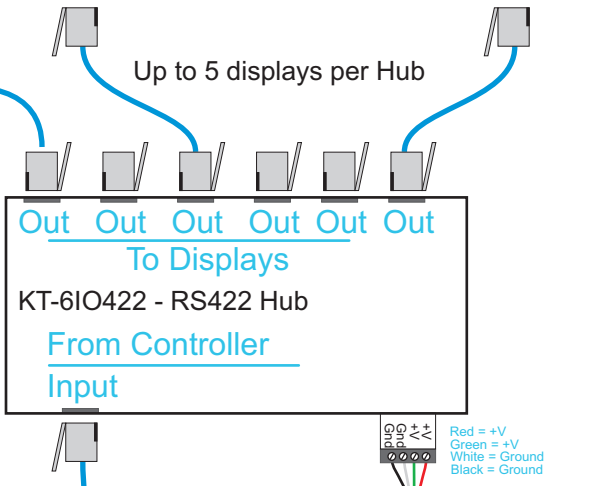
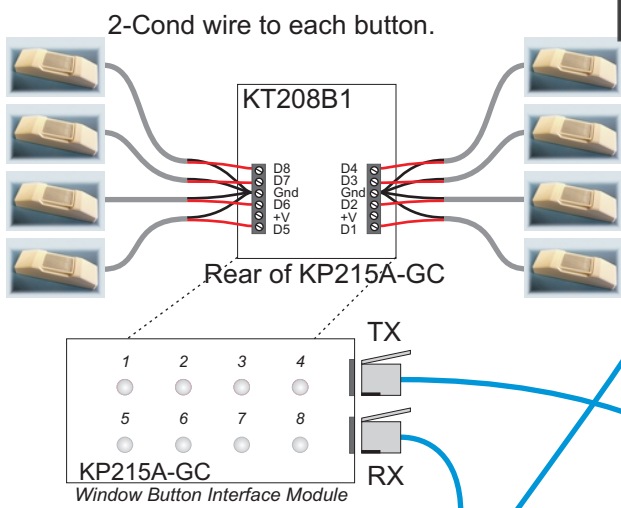
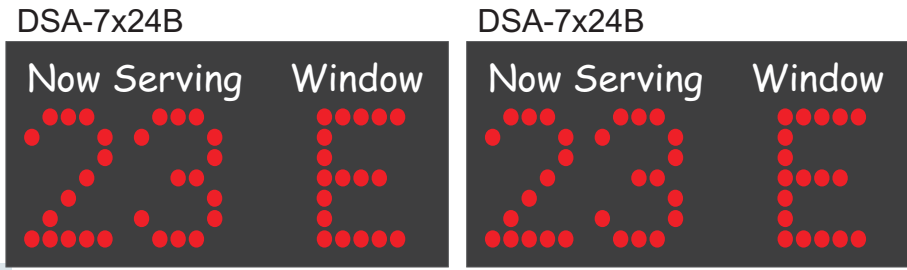
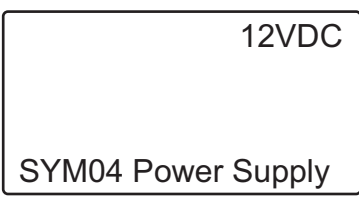


One button per window. (up to 8 windows)



DC117B6-WAIT1

Setup Remote Display:
00 Addr 0 Mode 12
Display 2 digit number and window number.



System wiring

- ND01 - Wall display 1
- ND10 - Wall display 2
- ND02 - Window 1
- ND03 - Window 2
- ND04 - Window 3
- ND05 - Window 4
- ND06 - Window 5
- ND07 - Not used
- ND08 - Ticket printer RS-422-IN
- ND09 - Ticket printer RS-422-OUT

